

Fire Rated LED Recessed Downlights

YG Mold No.: YG015

2023-3-12 V2.0





SHENZHEN YOUTH GREEN LIGHTING TECHNOLOGY CO.,LTD.

ADD: YOUTHGREEN COMMERCIAL PARK,SHIYAN TOWN BAOAN DISTRICT,SHENZHEN CITY,GUANGDONG PROVINCE,CHINA.

Tel: 86 135 4326 3953; Email: info@youthgreenled.com' Web: www.youthgreenled.com

Products Description:

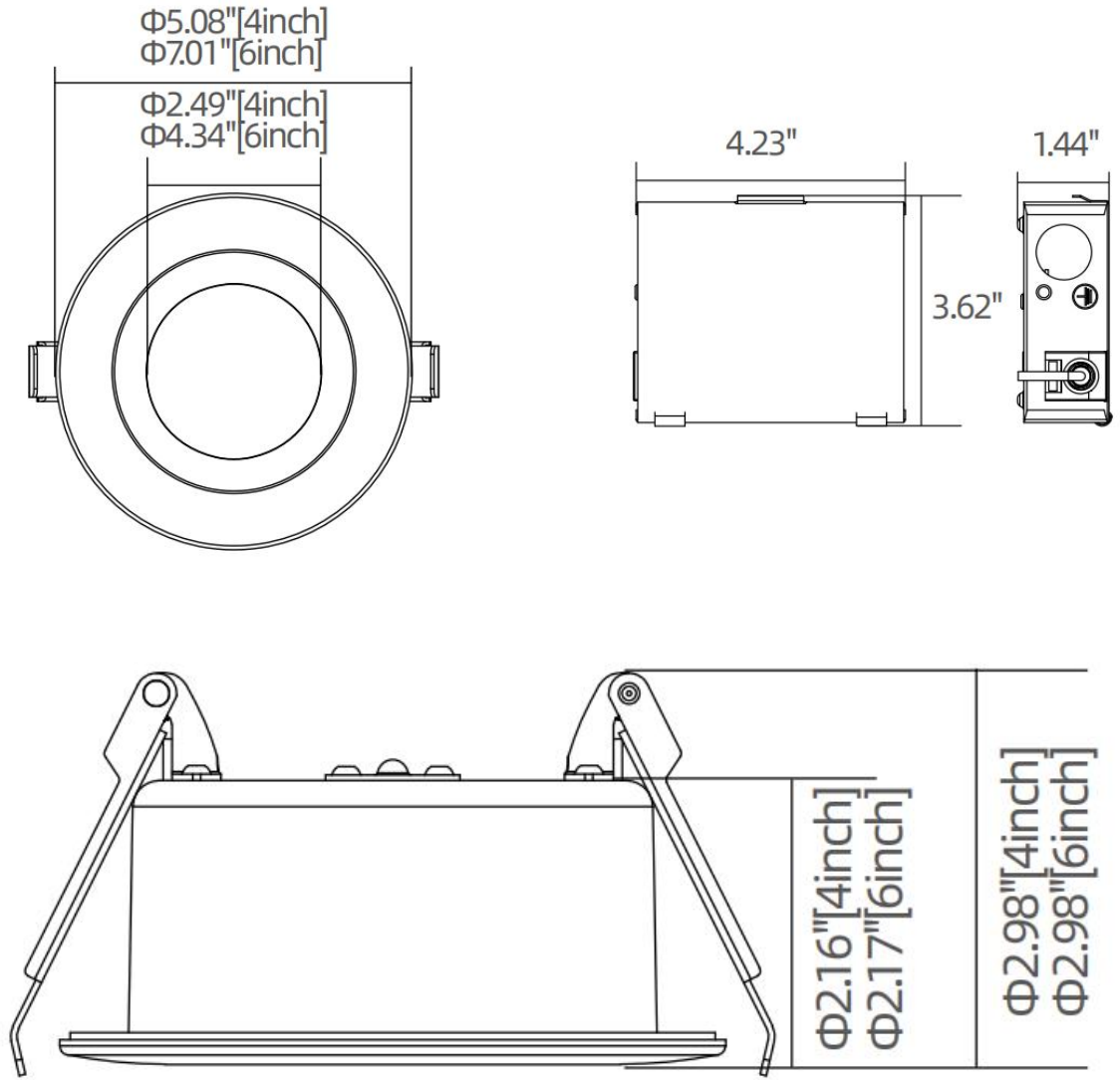
Parameters

Electrical Characteristics	
Input Voltage	110-120V AC 60Hz
Rated Power	9W / 12W
Size	4" / 6"
Installation of LED Driver	External
Type of LED Driver	Constant current output
Power Factor	0.95~0.98
Operating Temperature	-20℃-40℃

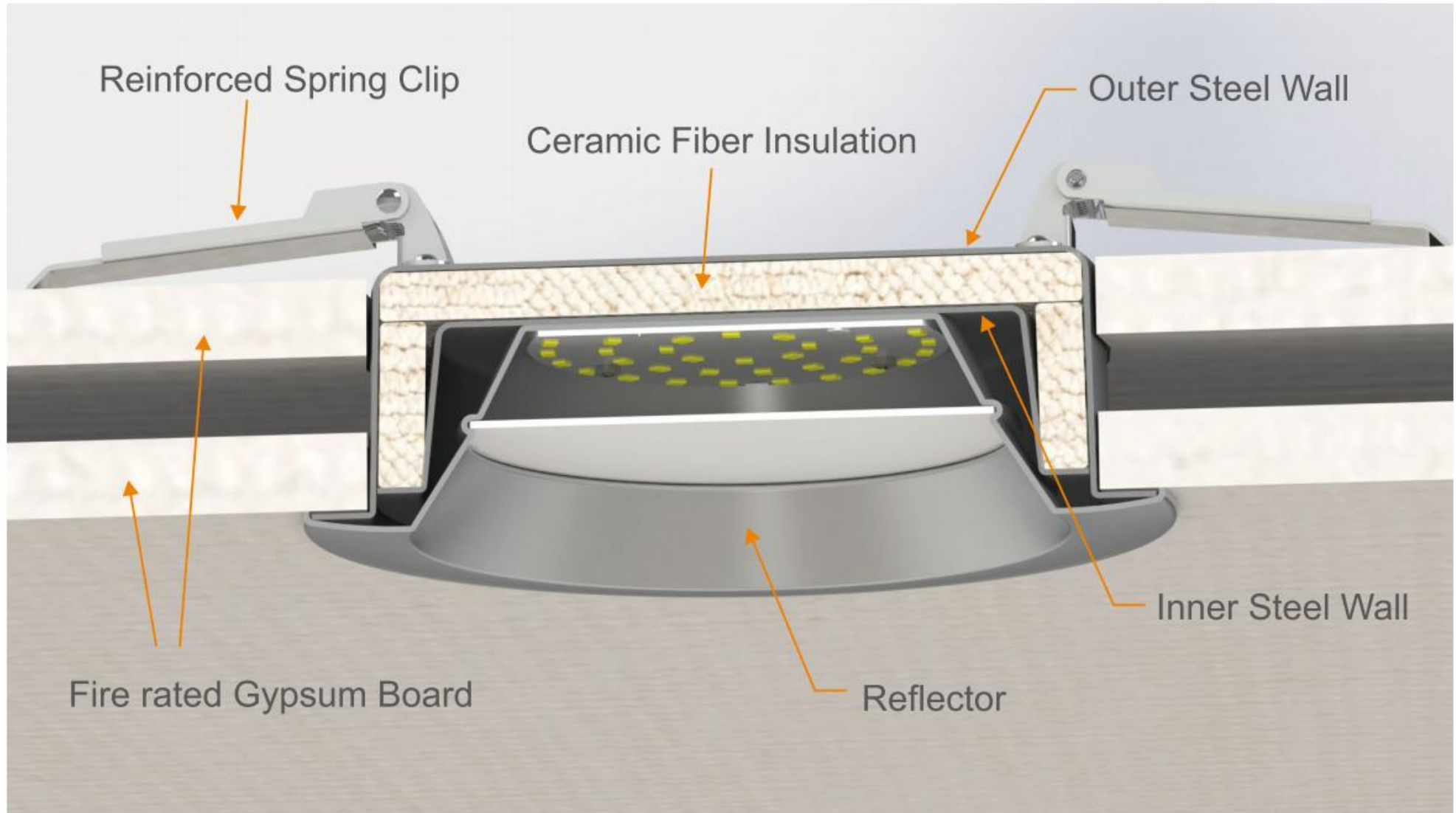
Optical Characteristics	
LED Type	SMD LED Chips
Brand of LED Chip	EPISTAR
Lumen	810LM/1300LM
Life Span Based on 3hrs/day	45years
CRI	>80
Beam Angle	110 degree
CCT	2700K-3000K-3500K-4000K-5000K

Other	
Energy Level	A
Warranty	5 years
Working Hours	50,000hrs
IP range	IP54 Wet Locations
2 HOUR FIRE RATING	Tested to comply with UL263, ASTM E119 & CAN/ULC S101

Products Dimensions



Products Structures



Products Features

5-CCT IN ONE LIGHT

Choose the most-designed CCT before installation.



Applications

**Bedroom****Living room****Corridor**

Wide Applications

**Kitchen****Shower room****Office**



SHENZHEN YOUTH GREEN LIGHTING TECHNOLOGY CO.,LTD.

ADD: YOUTHGREEN COMMERCIAL PARK,SHIYAN TOWN BAOAN DISTRICT,SHENZHEN CITY,GUANGDONG PROVINCE,CHINA.

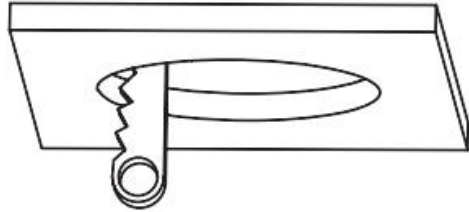
Tel: 86 135 4326 3953; Email: info@youthgreenled.com' Web: www.youthgreenled.com

Ordering Information:

Model No.	Size	Wattage	Voltage	Beam Angle	Color Temperature	Dimmable	Certificate
YG015D9-R-5C	4''	9W	AC120V	110D	2700K-3000K-3500K-4000K-5000K Color Adjustable	YES	ETL/ES
YG015F12-R-5C	6''	12W	AC120V	110D	2700K-3000K-3500K-4000K-5000K Color Adjustable	YES	ETL/ES

Installation Instructions

Fig. 1



Hole diameter/Diamètre de perforation:

4" 9 Watts	4-1/4"(107mm)
6" 12 Watts	6-1/4" (158mm)

Fig. 2

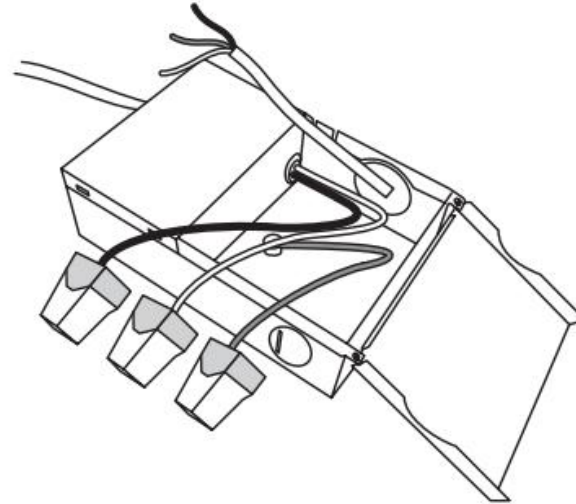


Fig. 3

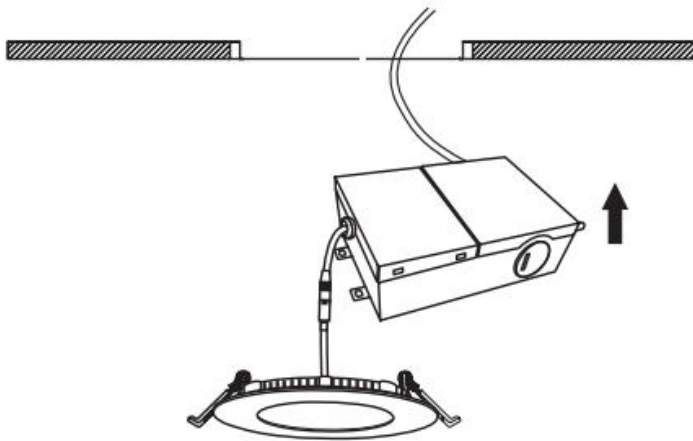


Fig. 4

