



## SHENZHEN YOUTH GREEN LIGHTING TECHNOLOGY CO.,LTD.

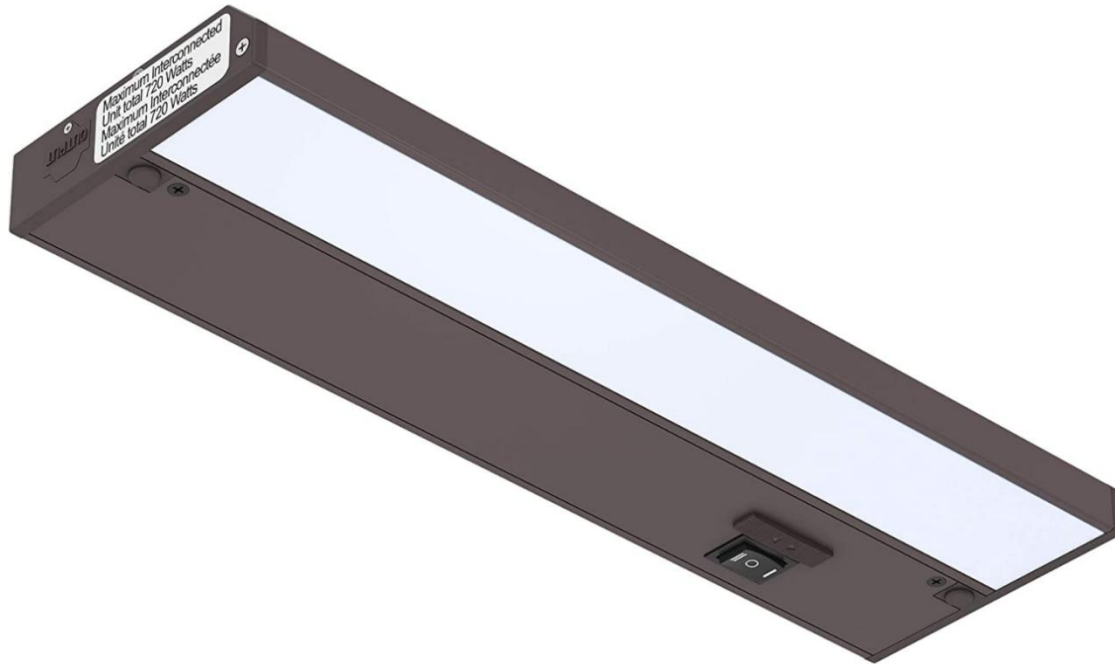
ADD: YOUTHGREEN COMMERCIAL PARK,SHIYAN TOWN BAOAN DISTRICT,SHENZHEN CITY,GUANGDONG PROVINCE,CHINA.

Tel: 86 135 4326 3953; Email: info@youthgreenled.com' Web: www.youthgreenled.com

### LED Under Cabinet Lighting

YG Mold No.: YG017

2023-3-9 V2.0





# SHENZHEN YOUTH GREEN LIGHTING TECHNOLOGY CO.,LTD.

ADD: YOUTHGREEN COMMERCIAL PARK,SHIYAN TOWN BAOAN DISTRICT,SHENZHEN CITY,GUANGDONG PROVINCE,CHINA.

Tel: 86 135 4326 3953; Email: info@youthgreenled.com' Web: www.youthgreenled.com

## Products Description:

### Parameters

Electrical Characteristics	
Input Voltage	110-120V AC 60Hz
Rated Power	3W 5W 8W 12W 20W 24W
Size	9" 12" 18" 24" 32" 40" 48"
Installation of LED Driver	Internal
Type of LED Driver	Constant current output
Power Factor	0.95~0.98
Operating Temperature	-20℃-40℃

Optical Characteristics	
LED Type	SMD LED Chips
Brand of LED Chip	EPISTAR
Lumen	185LM/385LM/618LM/908LM/1180LM/1509LM/1810LM
Life Span Based on 3hrs/day	45years
CRI	>90
Beam Angle	110 degree
CCT	2700K-3000K-4000K

Other	
Energy Level	A
Warranty	5 years
Working Hours	50,000hrs
IP range	IP44
Material	Aluminum housing

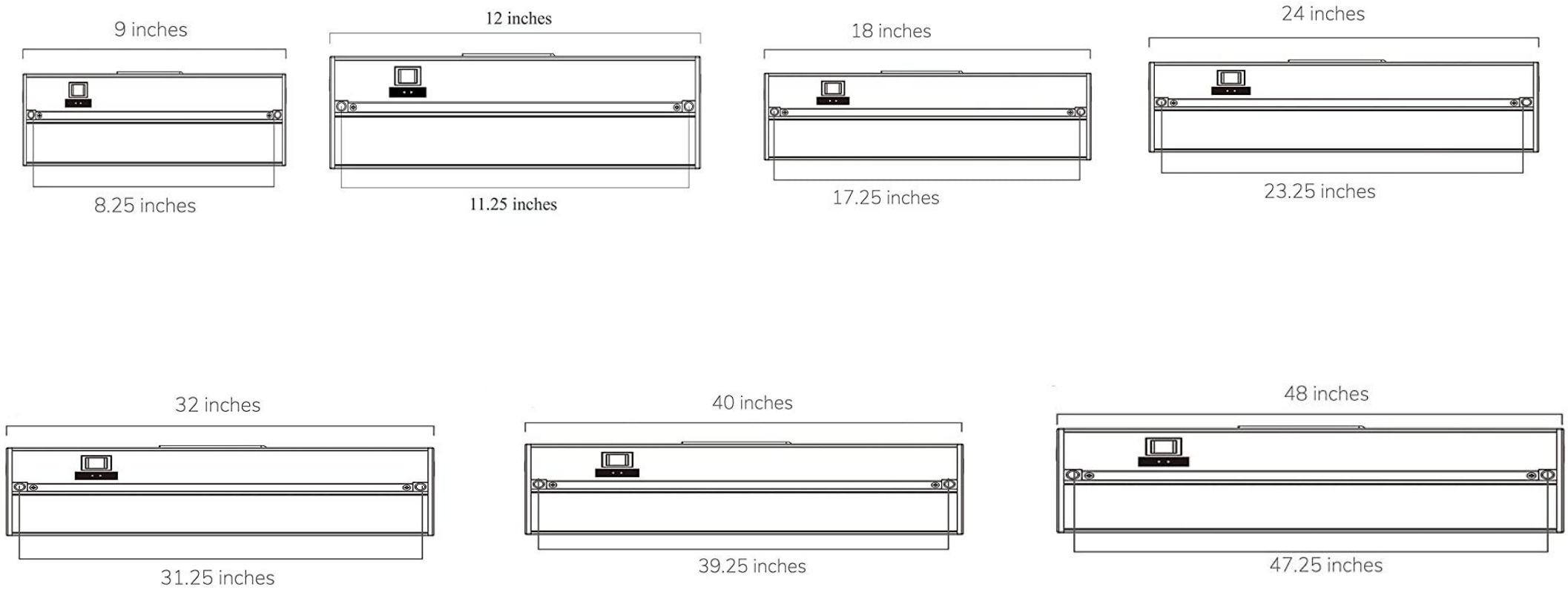


# SHENZHEN YOUTH GREEN LIGHTING TECHNOLOGY CO.,LTD.

ADD: YOUTHGREEN COMMERCIAL PARK,SHIYAN TOWN BAOAN DISTRICT,SHENZHEN CITY,GUANGDONG PROVINCE,CHINA.

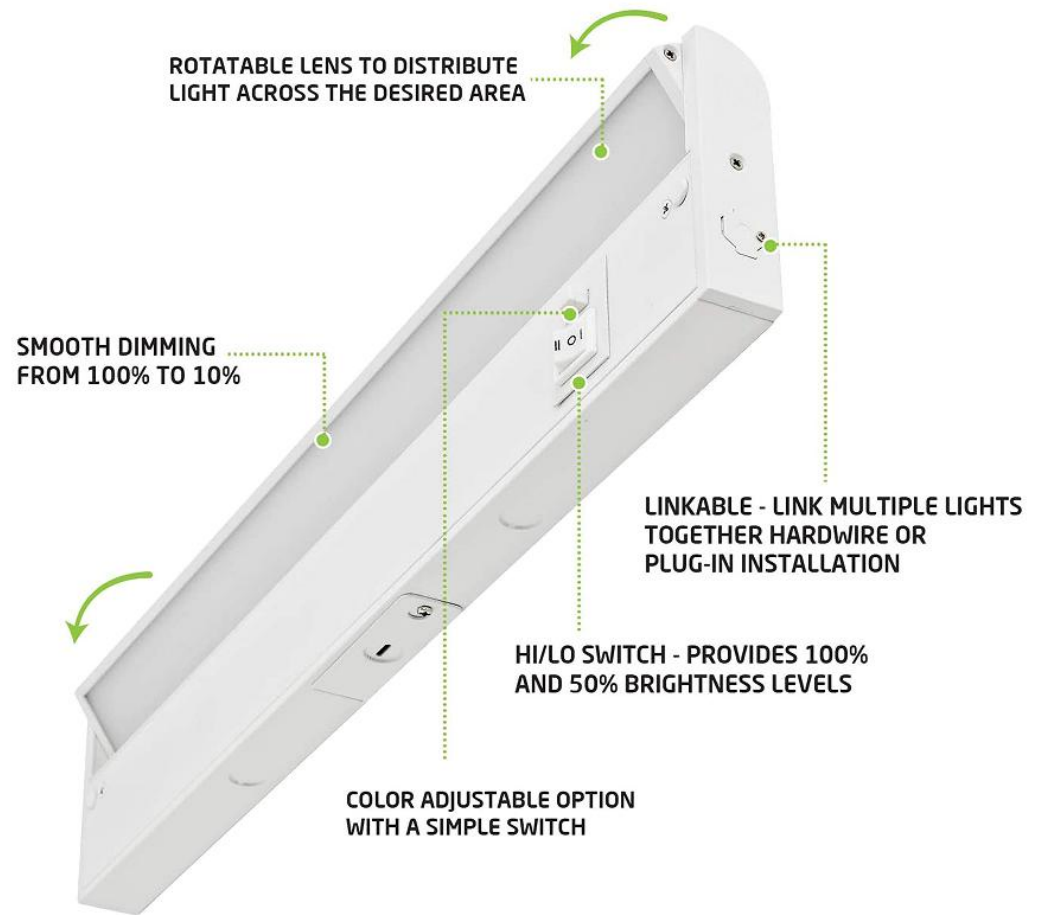
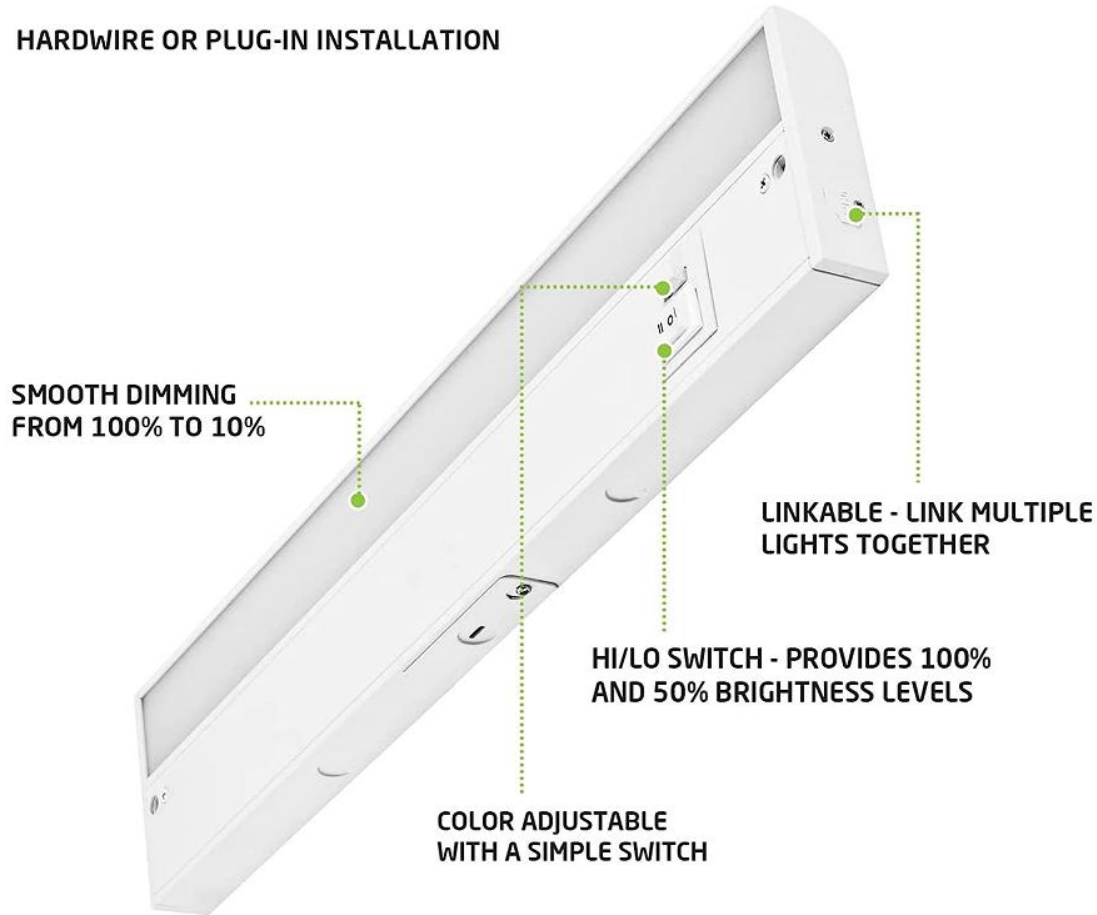
Tel: 86 135 4326 3953; Email: info@youthgreenled.com' Web: www.youthgreenled.com

## Products Dimensions



## Products Structures

### HARDWIRE OR PLUG-IN INSTALLATION





# SHENZHEN YOUTH GREEN LIGHTING TECHNOLOGY CO.,LTD.

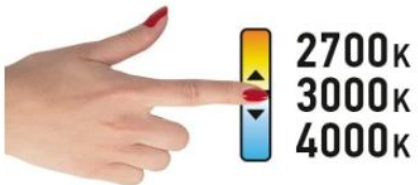
ADD: YOUTHGREEN COMMERCIAL PARK,SHIYAN TOWN BAOAN DISTRICT,SHENZHEN CITY,GUANGDONG PROVINCE,CHINA.

Tel: 86 135 4326 3953; Email: info@youthgreenled.com' Web: www.youthgreenled.com

## Products Features

### Color Adjustable and CRI90+

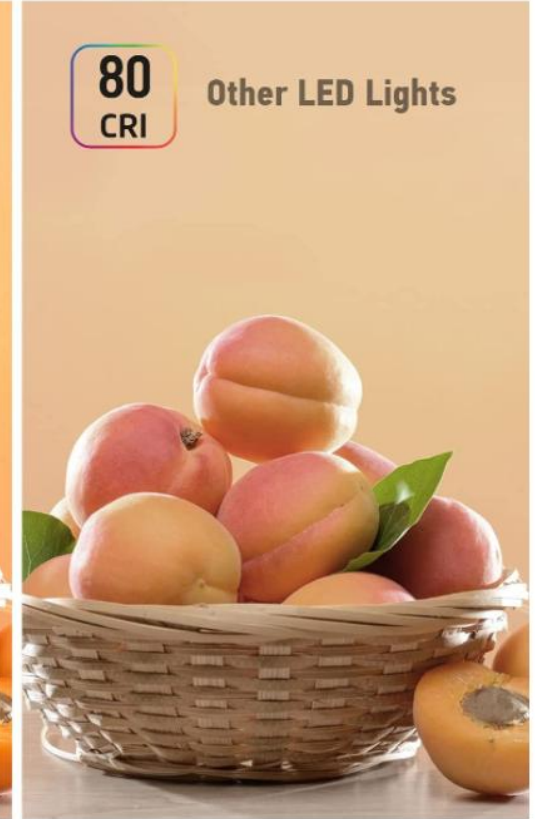
#### COLOR ADJUSTABLE



DAMP  
LOCATION

INDOOR  
LIGHTING

#### COLOR RENDERING INDEX







# SHENZHEN YOUTH GREEN LIGHTING TECHNOLOGY CO.,LTD.

ADD: YOUTHGREEN COMMERCIAL PARK,SHIYAN TOWN BAOAN DISTRICT,SHENZHEN CITY,GUANGDONG PROVINCE,CHINA.

Tel: 86 135 4326 3953; Email: info@youthgreenled.com' Web: www.youthgreenled.com

## Applications



## LIGHTING EFFECTS

TAILORED TO YOUR NEEDS





## SHENZHEN YOUTH GREEN LIGHTING TECHNOLOGY CO.,LTD.

ADD: YOUTHGREEN COMMERCIAL PARK,SHIYAN TOWN BAOAN DISTRICT,SHENZHEN CITY,GUANGDONG PROVINCE,CHINA.

Tel: 86 135 4326 3953; Email: info@youthgreenled.com' Web: www.youthgreenled.com

### Order Information:

### LED Under Cabinet Lighting

Model No.	Size	Wattage	Voltage	Beam Angle	Color Temperature	Dimmable	Certificate
YG017I3-S-3C	9"	3W	AC120V	110D	2700K-3000K-4000K Color Adjustable	YES	ETL
YG017L5-S-3C	12"	5W	AC120V	110D	2700K-3000K-4000K Color Adjustable	YES	ETL
YG017R8-S-3C	18"	8W	AC120V	110D	2700K-3000K-4000K Color Adjustable	YES	ETL
YG017X12-S-3C	24"	12W	AC120V	110D	2700K-3000K-4000K Color Adjustable	YES	ETL
YG017a16-S-3C	32"	16W	AC120V	110D	2700K-3000K-4000K Color Adjustable	YES	ETL
YG017c20-S-3C	40"	20W	AC120V	110D	2700K-3000K-4000K Color Adjustable	YES	ETL
YG017d24-S-3C	48"	24W	AC120V	110D	2700K-3000K-4000K Color Adjustable	YES	ETL



## SHENZHEN YOUTH GREEN LIGHTING TECHNOLOGY CO.,LTD.

ADD: YOUTHGREEN COMMERCIAL PARK,SHIYAN TOWN BAOAN DISTRICT,SHENZHEN CITY,GUANGDONG PROVINCE,CHINA.

Tel: 86 135 4326 3953; Email: info@youthgreenled.com' Web: www.youthgreenled.com

### Order Information:

### LED Swivel Under Cabinet Lighting

Model No.	Size	Wattage	Voltage	Beam Angle	Color Temperature	Dimmable	Certificate
YG017I3-S-3C-S	9''	3W	AC120V	110D	2700K-3000K-4000K Color Adjustable	YES	ETL
YG017L5-S-3C-S	12''	5W	AC120V	110D	2700K-3000K-4000K Color Adjustable	YES	ETL
YG017R8-S-3C-S	18''	8W	AC120V	110D	2700K-3000K-4000K Color Adjustable	YES	ETL
YG017X12-S-3C-S	24''	12W	AC120V	110D	2700K-3000K-4000K Color Adjustable	YES	ETL
YG017a16-S-3C-S	32''	16W	AC120V	110D	2700K-3000K-4000K Color Adjustable	YES	ETL
YG017c20-S-3C-S	40''	20W	AC120V	110D	2700K-3000K-4000K Color Adjustable	YES	ETL
YG017d24-S-3C-S	48''	24W	AC120V	110D	2700K-3000K-4000K Color Adjustable	YES	ETL



## Installation Instructions

### PLUG IN INSTALLATION:

#### STEP 1

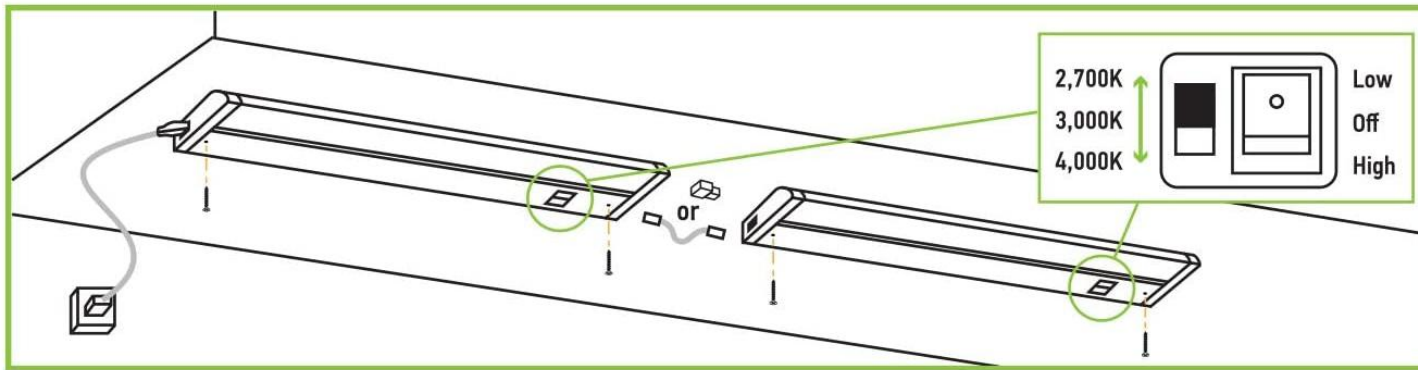
Attach the fixture to the surface using 2 screws.

#### STEP 2

Link the multiple fixtures together with end to end connector or linking cord. Plug the power cord into the socket.

#### STEP 3

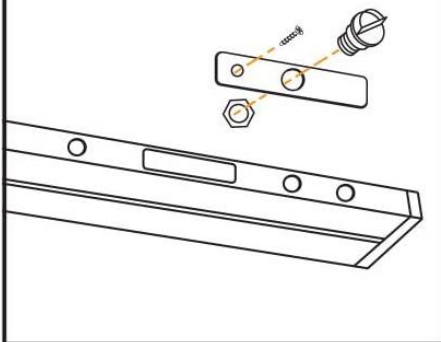
Choose needed color temperature and lighting mode Low or High by switch.



### HARDWIRE INSTALLATION:

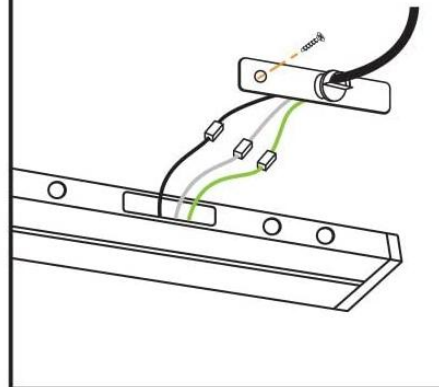
#### STEP 1

Remove the knock-out. Dismount adapter plate by loosening screw. Insert the romex connector into the open hole and secure it with the nut.



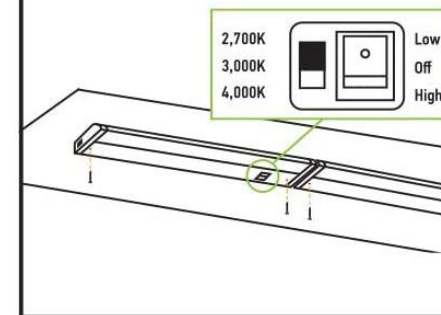
#### STEP 2

Connect the wires to match colors: white to white, black to black, green to green. Tuck all the wires into the fixture and reattach the adapter plate by tightening the screw.



#### STEP 3

Attach the fixture to the surface using 2 screws. Link the multiple fixtures together with end to end connector or linking cord. Choose needed color temperature and lighting mode Low or High by switch.



Accessories:

## PACKAGE CONTENTS:

Description	Q-ty
LED Under Cabinet Light	1
End-to-end connector (A)	1
Romex connector (B)	1
6" linking cord (C)	1
6 ft power cord (D)	1
Screw (E)	2
Screw cap (F)	2

