

4" Deep Anti-Glare Downlight Specifications

3CCT Tunable

Description

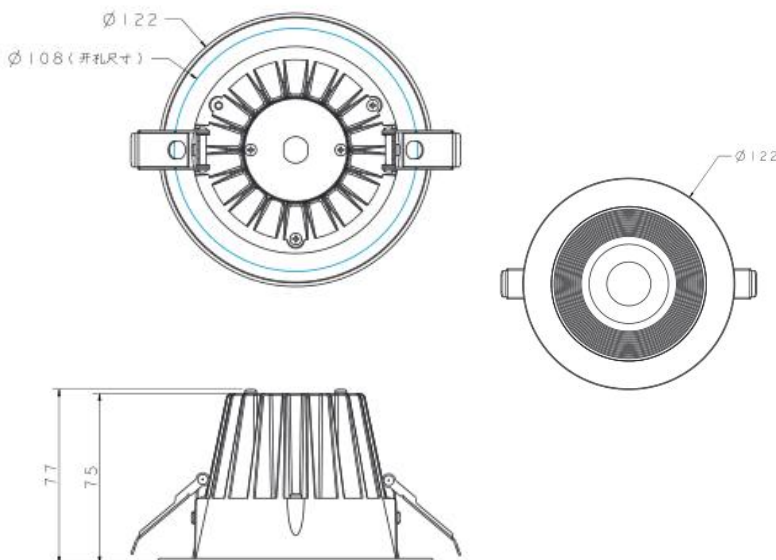
4" LED anti-glare downlight comes complete with an external driver in a junction box. Commercial grade quality with architectural design.

Features and Benefits

- **Air Tight & Type IC Rated:** No housing Required. Deep anti-glare design, no harm to eyes .
- **Fast & Easy Installation:** Save labor cost.
- **Junction Box Included:** No additional hardware required.
- **Reflector** can be smooth design or baffle design
- **Frame & Inner trim color** can be white, black
- **Suitable for damp locations.**
- **Voltage:** 100-130V AC perfect Triac dimming
- **3CCT Tunable :** 3000K/4000K/5000K Color option in

one fixture

Dimension Drawing



Unit: mm



Specifications

Input Power	12W
Input Voltage:	100-130V AC, 50/60HZ
Lumen	900-1000LM
Halogen Equivalent	90W
Efficiency	80LM/W
CRI	>90Ra
Power Factor	>0.9
LED Chip	COB
Beam Angle	36°
Color Temperature	3000K/4000K/5000K 3CCT Tunable
Dimension	Φ122*77mm
Cutout Size	Φ108mm
Dimming	Triac dimming 5-100%
Approved Locations	Insulated ceilings
Air Tight	Yes
Lamp Life	70% light output at 50000hrs
Certification	ETL , cETL,
Warranty	5 years
Qty/ Ctn	20pcs/ ctn
Ctn Size	53*37.7*31.4CM
Gross Weight	13.5kg

Great Features and Benefits

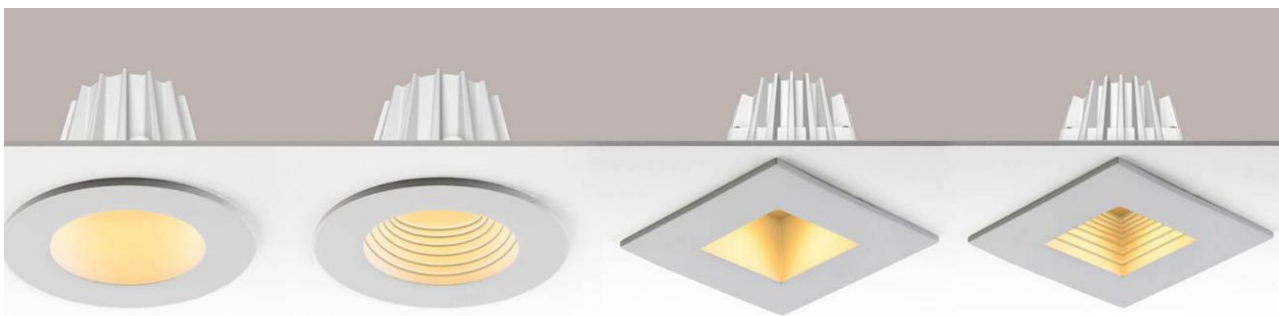
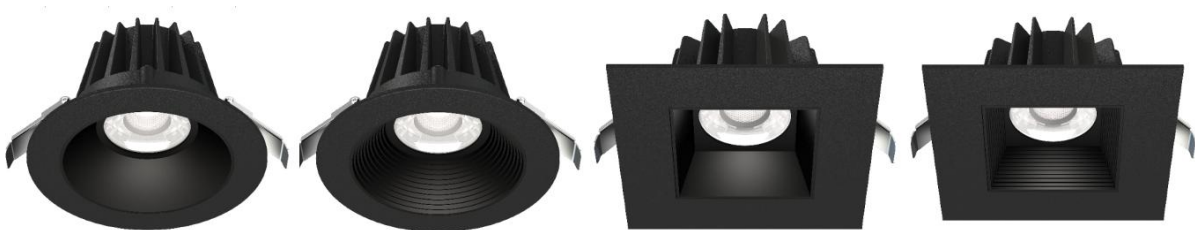
- **Appearance:** Fashionable & high quality design, with unique appearance, easier for marketing.
- **Body:** Durable, die cast aluminum alloy for optimal heat dissipation .
- **Paint:** The inner corn can be White, Chromel and Black for choice--Scratch resistant and smooth finish
- **LEDs:** High brightness COB LED with CRI>90Ra, which guaranteed high lumen and high quality
- **Driver:** Isolated LED driver with 5 years warranty. 100-130V AC perfect Triac Dimming
- **Junction Box:** Included, install directly in Insulated Ceilings (IC) without any thermal housing.
- **Inner Trim:** The inner trim can be corn or baffle, and inner trim color can be white ,black for choice

Compatible Dimmers

- **Lutron :** CTCL-153P / DVCL-153P / S-600P / SLV-600P / CN-600P
- **Levetion :** 6674 /6672

Family Products

Have 2"8W &4" 12W & 4" 15W Round & Square in both Smooth and Baffle Design for choice
Frame & Inner trim have both White and Black for choice



Deep Anti-glare Downlight

