

## LED Recessed Gimbal Downlights

YG Mold No.: YG011

2023-2-28 V2.0





# SHENZHEN YOUTH GREEN LIGHTING TECHNOLOGY CO.,LTD.

ADD: YOUTHGREEN COMMERCIAL PARK,SHIYAN TOWN BAOAN DISTRICT,SHENZHEN CITY,GUANGDONG PROVINCE,CHINA.

Tel: 86 135 4326 3953; Email: info@youthgreenled.com' Web: www.youthgreenled.com

## Products Description:

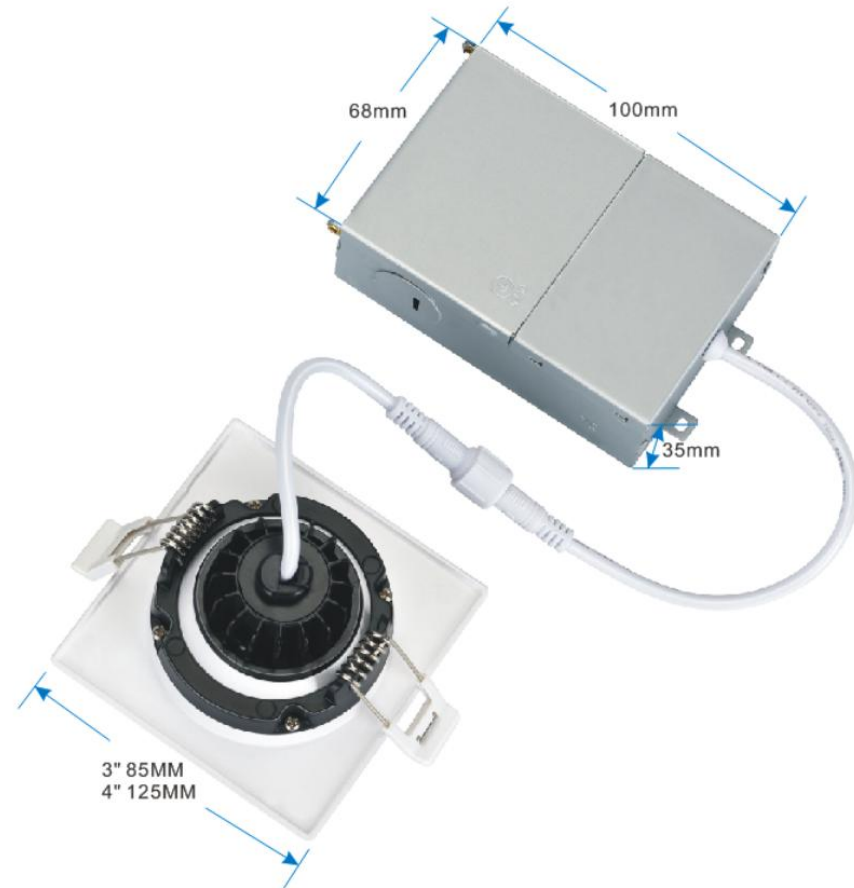
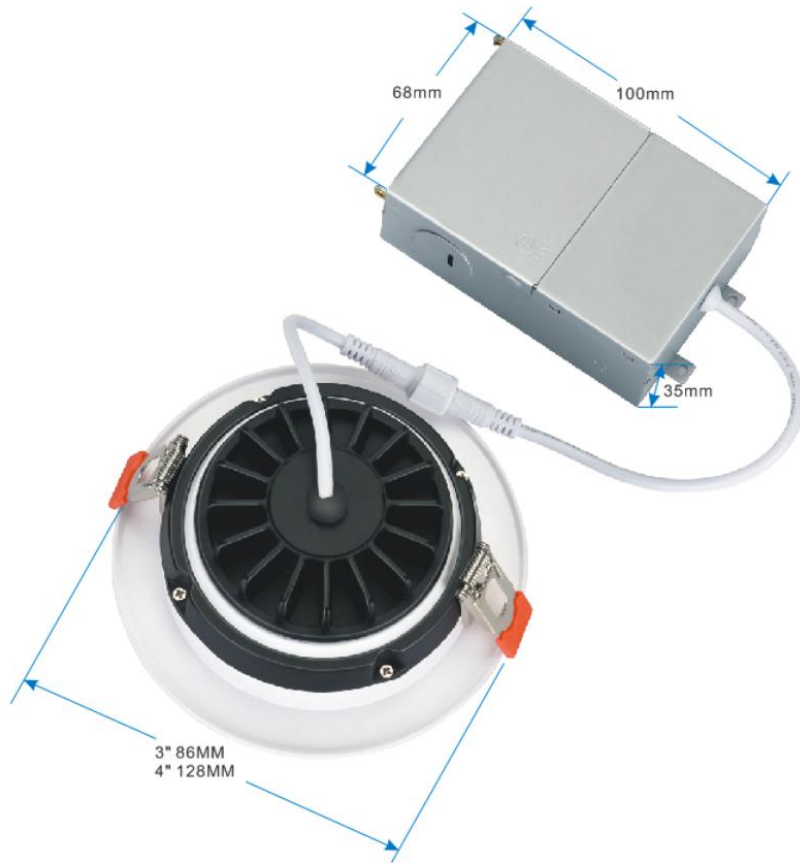
### Parameters

Electrical Characteristics	
Input Voltage	110-120V AC 60Hz
Rated Power	8W 12W
Replacement	8W=80W Halogen 12W=100W Halogen
Installation of LED Driver	External
Type of LED Driver	Constant current output
Power Factor	0.95~0.98
Operating Temperature	-20℃-40℃

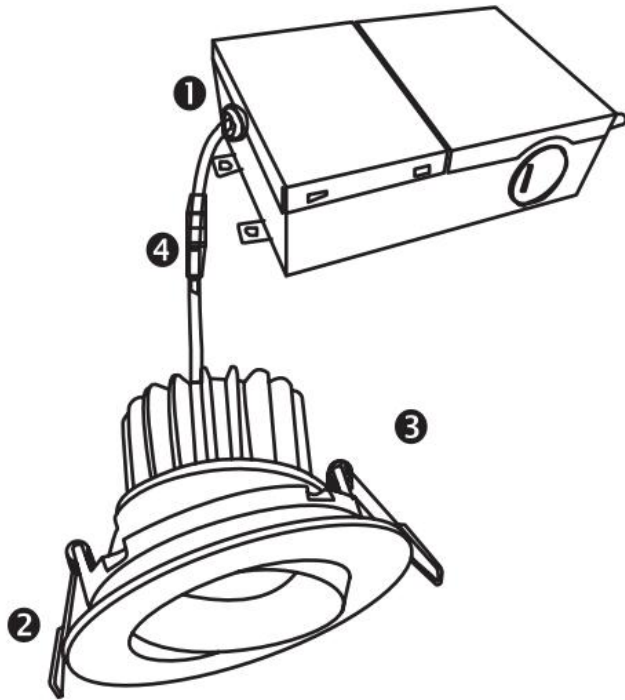
Optical Characteristics	
LED Type	COB LED Chips
Brand of LED Chip	EPISTAR
Lumen	7W/ 800LM 12W/1200LM
Life Span Based on 3hrs/day	45years
CRI	>80
Beam Angle	36 degree
CCT	3000K-4000K-5000K

Other	
Energy Level	A
Warranty	5 years
Working Hours	50,000hrs
IP range	IP54
Material	Aluminum housing

Products Dimensions



## Products Structures



### PARTS LIST/ LISTE DES COMPOSANTS

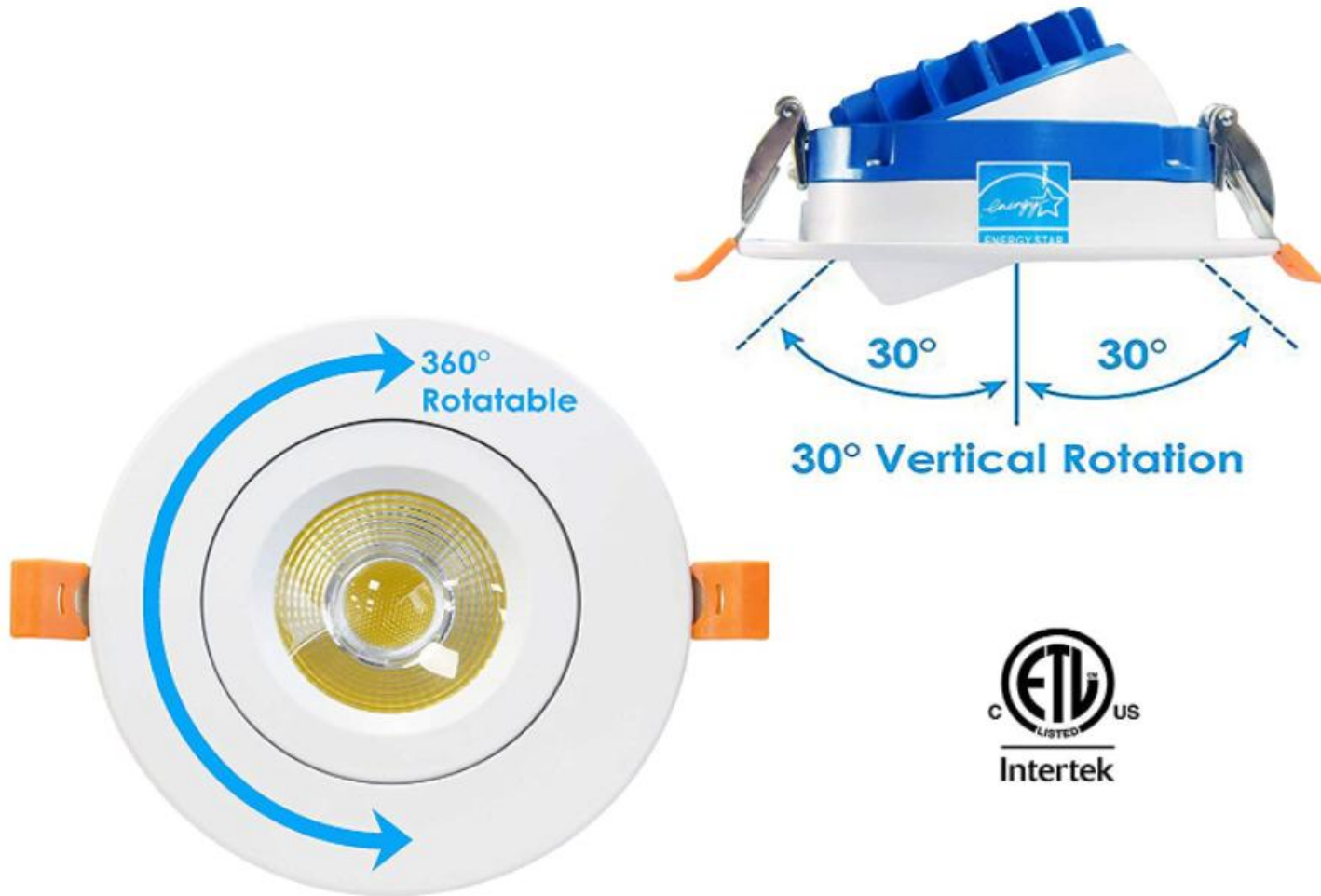
- ❶ Junction box / *Boîte de jonction*
- ❷ Light panel / *Panneau d'éclairage*
- ❸ Spring clips / *Agrafe-ressort*
- ❹ Connector / *Connecteur*

### COMPATIBLE DIMMER LIST

Leviton: 6681-732 , IPSD6-722

Lutron: CTCL-1533PHD-WH-C,  
DV-600PR-WH-C,MA-LFQHW-WH-C,  
MACL-153MH-WH-C,TT-300H-WH-CSA,  
MACL-153MRHW-WHC,CT-600P,SCL-153P,  
CTCL-153P,DVCL-153P,MACL-153M,S-600P

Products Features



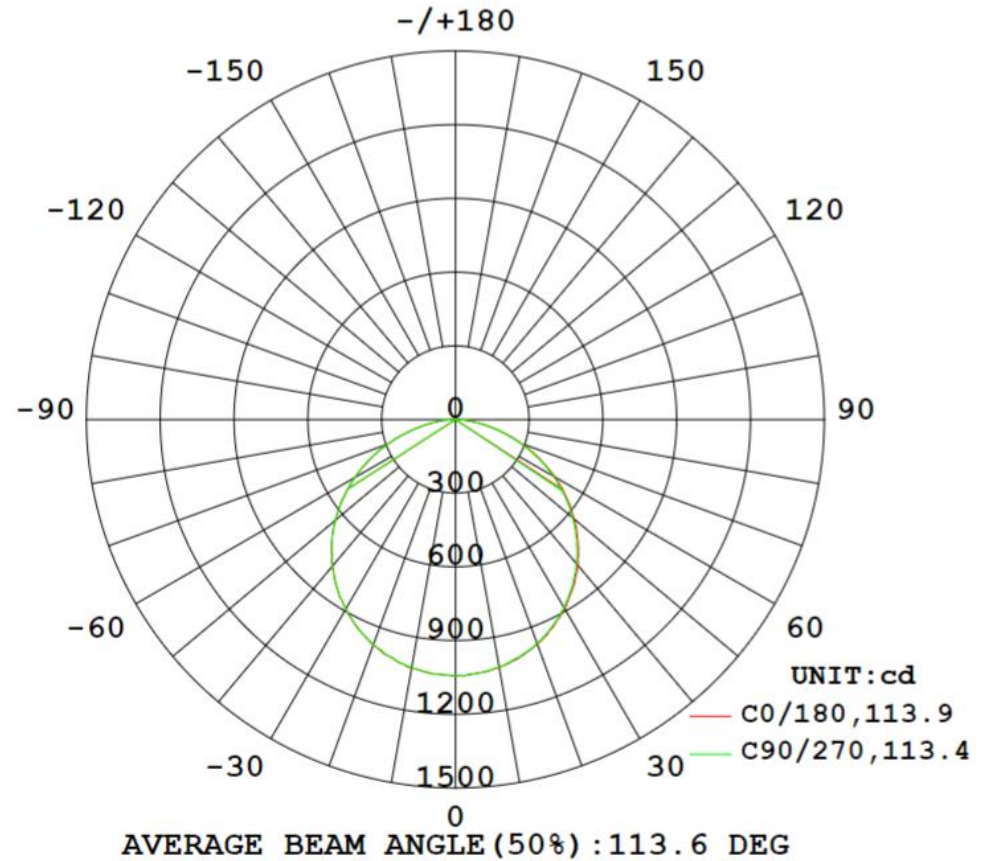
**Fully Adjustable so you can get your perfecty beam angle!**

Applications

Photometric Test Report



Three Color Temperature Selectable.





# SHENZHEN YOUTH GREEN LIGHTING TECHNOLOGY CO.,LTD.

ADD: YOUTHGREEN COMMERCIAL PARK,SHIYAN TOWN BAOAN DISTRICT,SHENZHEN CITY,GUANGDONG PROVINCE,CHINA.

Tel: 86 135 4326 3953; Email: info@youthgreenled.com' Web: www.youthgreenled.com

## Order Information:

Model No.	Size	Wattage	Voltage	Beam Angle	Color Temperature	Dimmable	Certificate
YG011C8-R-3C	3''	7W	AC120V	110D	3000K-4000K-5000K	YES	ETL/cETL Model No. YG-4G9-3C
YG011D12-R-3C	4''	12W	AC120V	110D	3000K-4000K-5000K	YES	ETL/cETL Model No. YG-4G12-3C

## Packing Information:

Model No.	Size	QTY/CTN	G.W (KGS)	Size/CTN(CM)
YG011C8-R-3C	3''	40PCS	14.5	56*43*29
YG011D12-R-3C	4''	40PCS	25	67*36*28

## Installation Instructions

Fig. 1

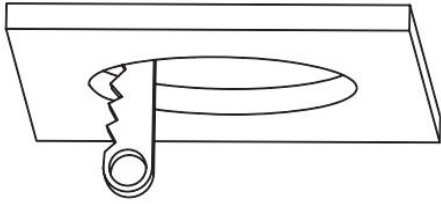


Fig. 2

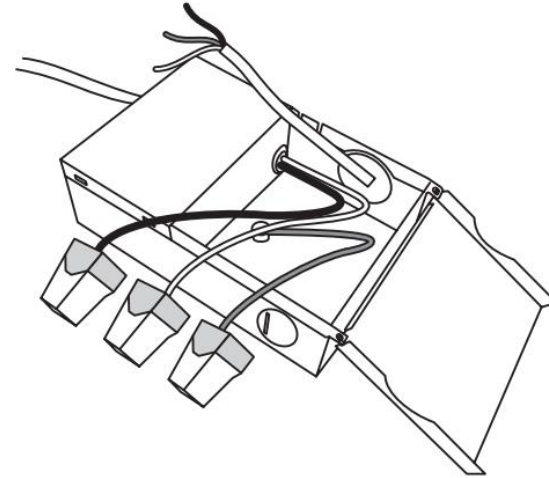


Fig. 3

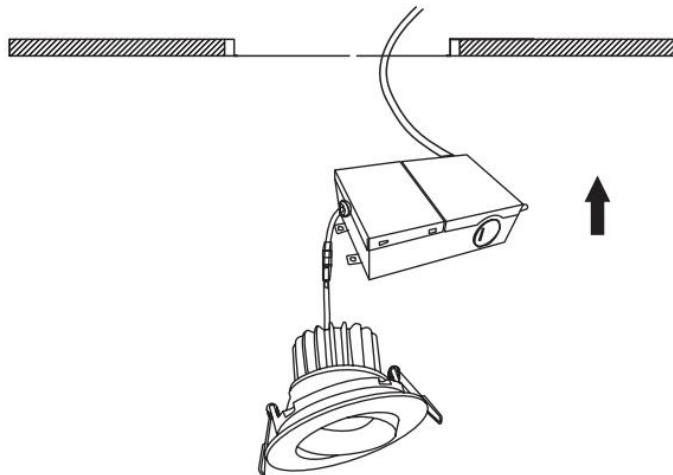


Fig. 4

