

4'' WIFI RGBCW Gimbal Downlights

YG Mold No.: YG013

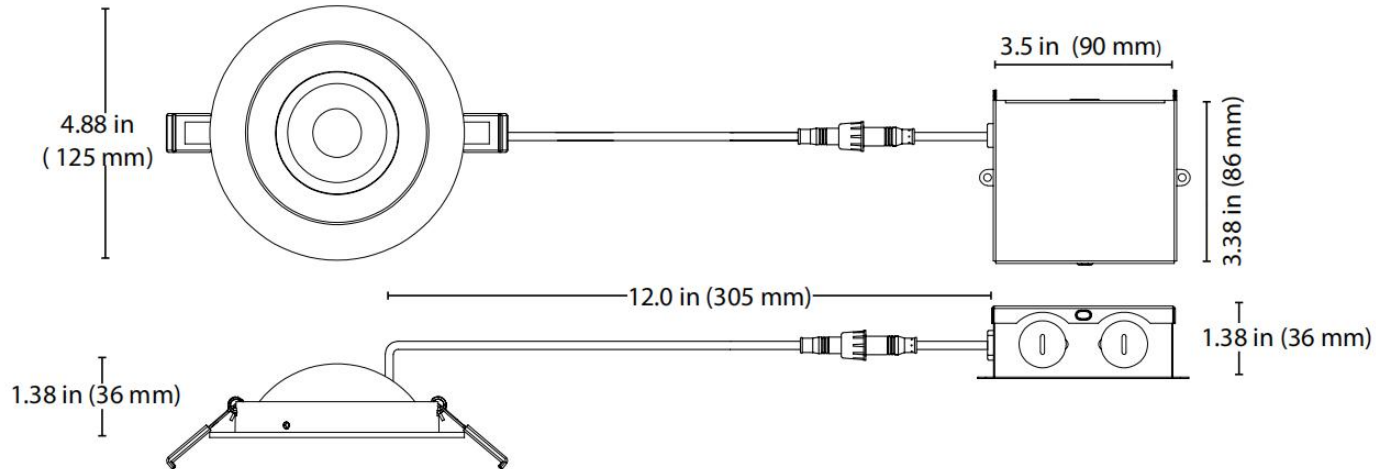
2022-6-1 V2.0



Feature I

Model No.	Hole Size	Wattage	Voltage	Beam Angle	Color Temperature	Dimmable	Certificate
YG013B9-R-5L-WL-WIFI	4"	6W	AC120V	90° tilt 360° rotation	RGBCW	YES	ETL/cETL

Dimensions



Feature II

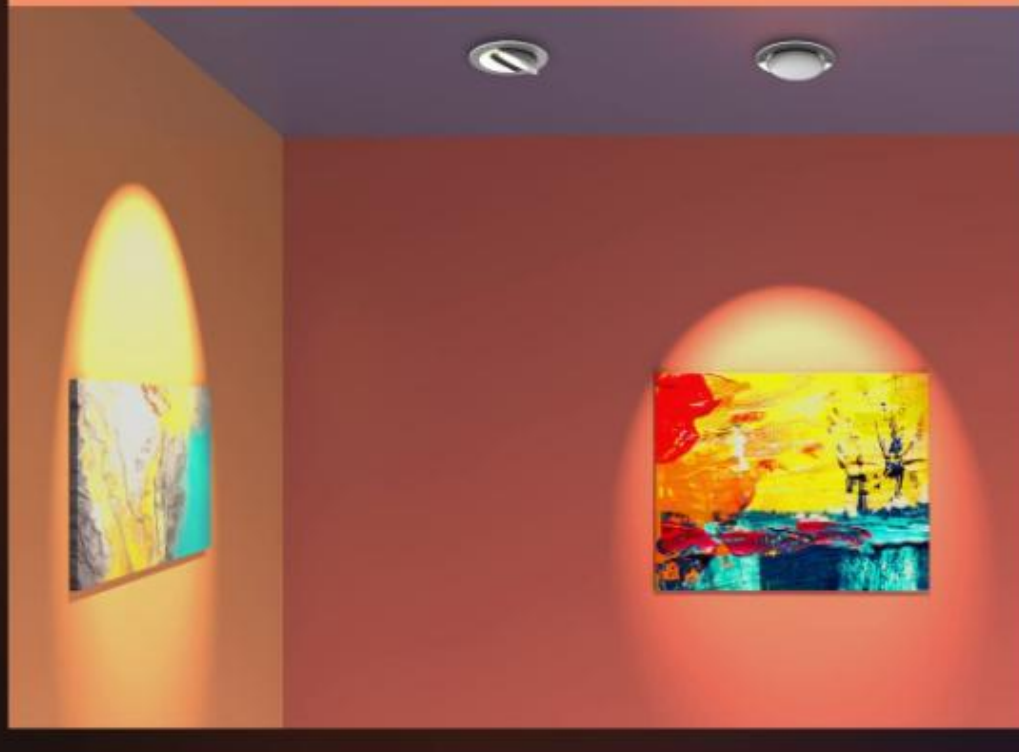
Unique Features

NO Can Needed
J-Box Attached
Metal Body
Heat Dissipates Faster

Air Tight
Tilt 90° Swivel Full 360°
COB LED

Feature III

4 Inch Gimbal Recessed Light



Feature IV

Smart Voice Control
Compatible with Alexa & Google Assistant
Simple command, bringing smarter & convenient life

Alexa, set the light to warm white~~~

Okay!

works with alexa

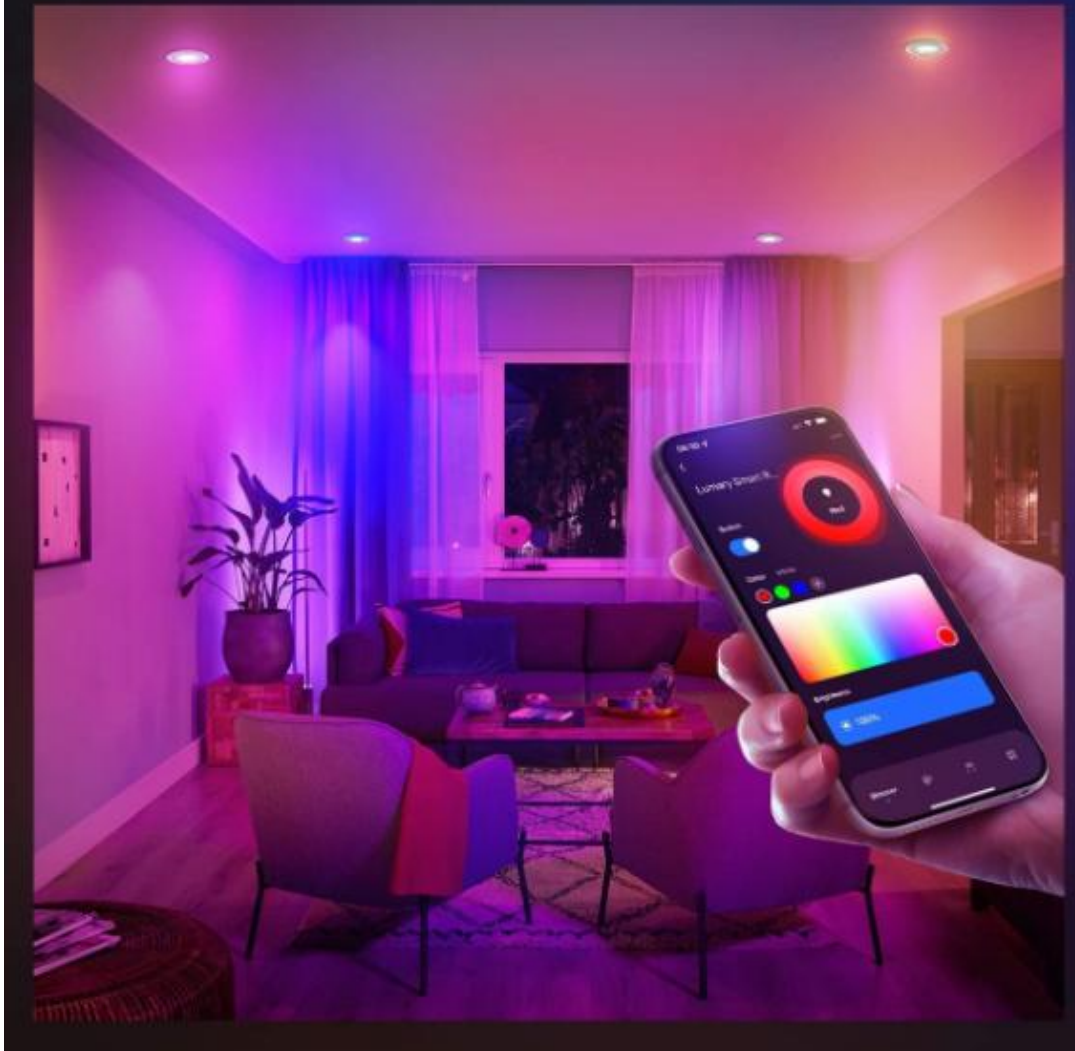
works with Hey Google

The advertisement features a man and a woman sitting on a wooden floor, looking up at a ceiling with four recessed lights. A red speech bubble above them contains the text "Alexa, set the light to warm white~~~". To the right, a smart speaker sits on the floor with a red speech bubble above it saying "Okay!". In the bottom left corner, there are two logos: "works with alexa" and "works with Hey Google". The background is a plain, light-colored wall.

Feature v

16 Million Colors

Multiple colors to meet your different needs



Feature VI

Group Setting

1. Select the device which you wanna set group.

2. Click "... " on the top right corner.

3. Click "Create Group" option.

4. Select the devices which you want to group setting with it.