

# 4" Deep Anti-Glare Downlight Specifications

## 3CCT Tunable

### Description

**4" LED anti-glare downlight** comes complete with an external driver in a junction box. Commercial grade quality with architectural design.

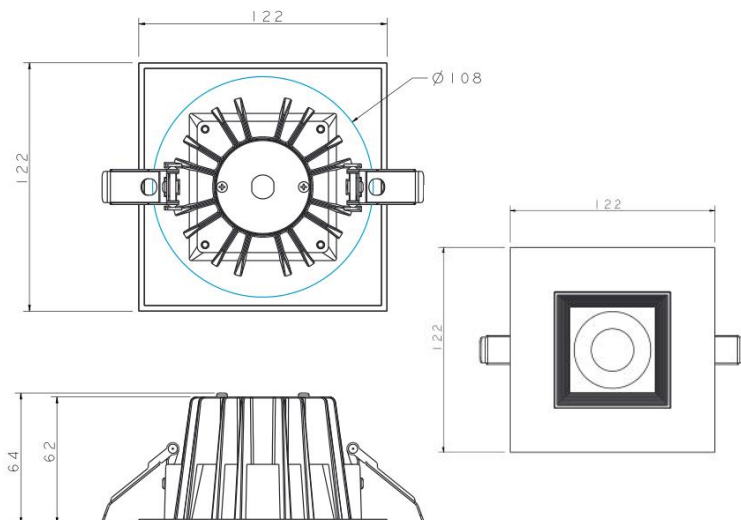


### Features and Benefits

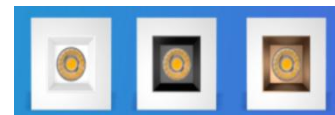
- **Air Tight & Type IC Rated:** No housing Required. Deep anti-glare design, no harm to eyes .
- **Fast & Easy Installation:** Save labor cost.
- **Junction Box Included:** No additional hardware required.
- **Reflector** can be smooth design or baffle baffle
- **Frame & Inner trim color** can be white or black
- **Suitable for damp locations.**
- **Voltage:** 100-130V AC perfect Triac dimming
- **3CCT Turnable :** 3000K/4000K/5000K Color option in

one fixture

### Dimension Drawing



Unit: mm



### Specifications

<b>Input Power</b>	<b>12W</b>
<b>Input Voltage:</b>	100-130V AC, 50/60HZ
<b>Lumen</b>	<b>900-1000LM</b>
<b>Halogen Equivalent</b>	<b>90W</b>
<b>Efficiency</b>	80LM/W
<b>CRI</b>	>90Ra
<b>Power Factor</b>	>0.9
<b>LED Chip</b>	<b>COB</b>
<b>Beam Angle</b>	36°
<b>Color Temperature</b>	3000K/4000K/5000K 3CCT Tunable
<b>Dimension</b>	<b>Φ122*77mm</b>
<b>Cutout Size</b>	<b>Φ108mm</b>
<b>Dimming</b>	Triac dimming 5-100%
<b>Approved Locations</b>	Insulated ceilings
<b>Air Tight</b>	Yes
<b>Lamp Life</b>	70% light output at 50000hrs
<b>Certification</b>	ETL , cETL,
<b>Warranty</b>	5 years
<b>Qty/ Ctn</b>	20pcs/ ctn
<b>Ctn Size</b>	53*37.7*31.4CM
<b>Gross Weight</b>	14.5kg

**Great Features and Benefits**

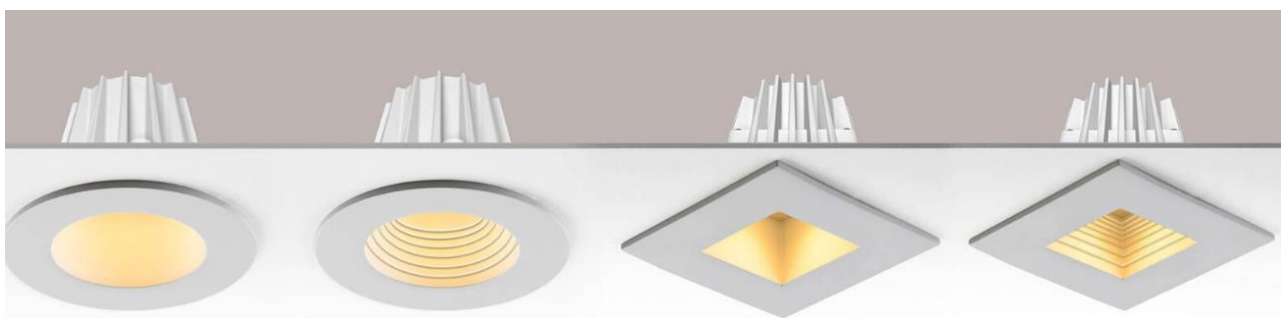
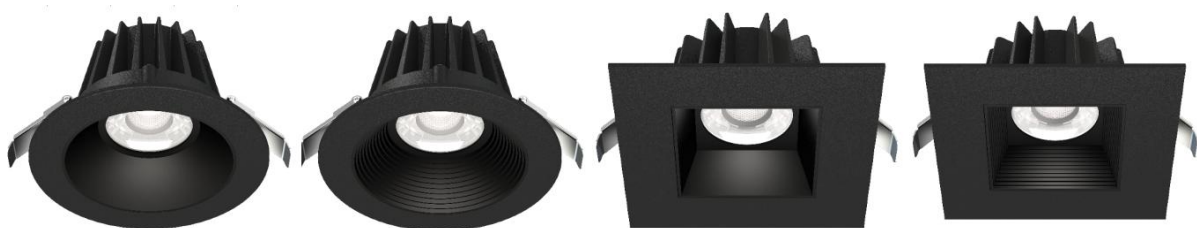
- **Appearance:** Fashionable & high quality design, with unique appearance, easier for marketing.
- **Body:** Durable, die cast aluminum alloy for optimal heat dissipation .
- **Paint:** The inner corn can be White, Chromel and Black for choice--Scratch resistant and smooth finish
- **LEDs:** High brightness COB LED with CRI>90Ra, which guaranteed high lumen and high quality
- **Driver:** Isolated LED driver with 5 years warranty. 100-130V AC perfect Triac Dimming
- **Junction Box:** Included, install directly in Insulated Ceilings (IC) without any thermal housing.

**Compatible Dimmers**

- **Lutron :** CTCL-153P / DVCL-153P / S-600P / SLV-600P / CN-600P
- **Levetion :** 6674 /6672

**Family Products**

**Have 2" 8W & 4" 12W & 4" 15W Round & Square in both Smooth and Baffle Design for choice**  
 Inner trim and frame have both White and Black for choice



Deep Anti-glare Downlight

