

2.4G 4" 9W Round White Slim Panel Lights

YG Part #: LP4RD9W3CCTRC-WH

2019-05-01 V2.0



Features:

3000K-5000K DIMMABLE COLOR TEMPERATURE



BRIGHTNESS CONTROL



REMOTE CONTROL



COLOR CHANGE



BRIGHTNESS CONTROL

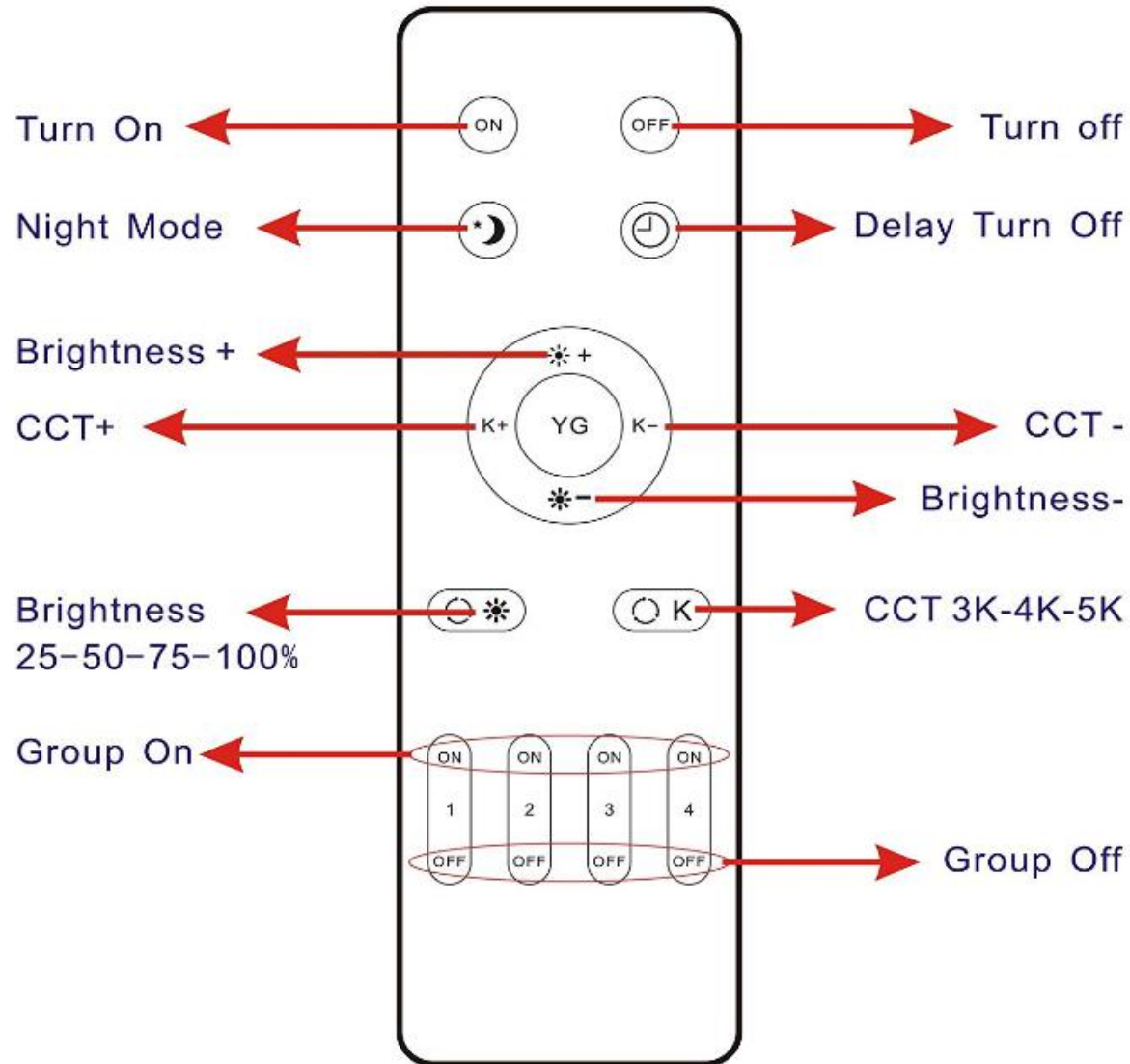


NIGHT LIGHT MODEL



Delay Turn Off

Operation Instruction





SHENZHEN YOUTH GREEN LIGHTING TECHNOLOGY CO.,LTD.

ADD: YOUTHGREEN COMMERCIAL PARK,SHIYAN TOWN BAOAN DISTRICT,SHENZHEN CITY,GUANGDONG PROVINCE,CHINA.

Tel: 86 13631604597; Email: sales05@youthgreenled.com; Web: www.youthgreenled.com

Specification:

1. 4inch 9W
2. With Junction box, compatible for North America's installation regulation requirement.
3. ETL Energy Star approved, 5 years warranty.
4. Color Changeable and Dimmable by Remote

Notice:

1. Cutting off the electricity before installation.
2. Installation can only be done by qualified electrician.
3. Input voltage is AC120V 50/60Hz. Please kindly confirm the voltage before installation.
4. If the down lights can't work normally, please contact our customer service.
5. It will be out of warranty if damage is caused by personal mistake.



SHENZHEN YOUTH GREEN LIGHTING TECHNOLOGY CO.,LTD.

ADD: YOUTHGREEN COMMERCIAL PARK,SHIYAN TOWN BAOAN DISTRICT,SHENZHEN CITY,GUANGDONG PROVINCE,CHINA.

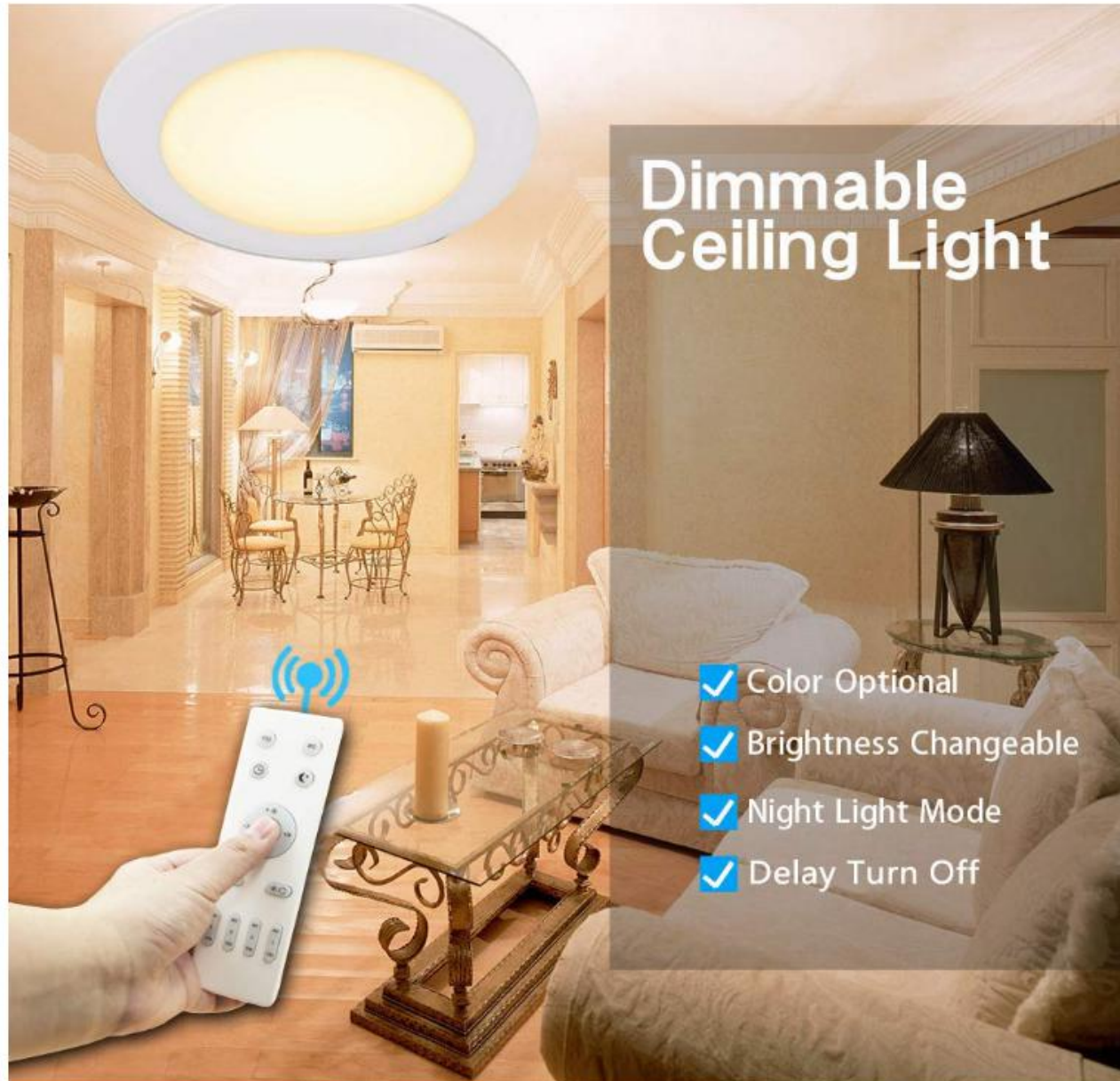
Tel: 86 13631604597; Email: sales05@youthgreenled.com; Web: www.youthgreenled.com

Details for Order Form

YG Part #: LP4RD9W3CCTRC-WH

Item No.	Bar code	Voltage	Watt	Lighting Color	CCT	Dimmable	Certificates
LP4RD9W3CCTRC-WH	N/M	AC110-120V	9W	3000K/3500K/4000K/5000K	3CCT	YES	ETL Energy Star

Application



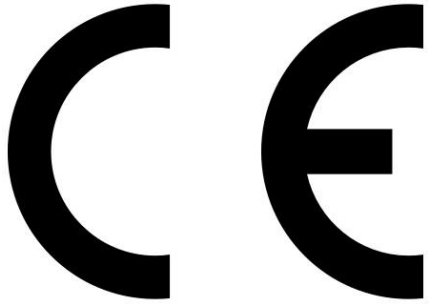
Application



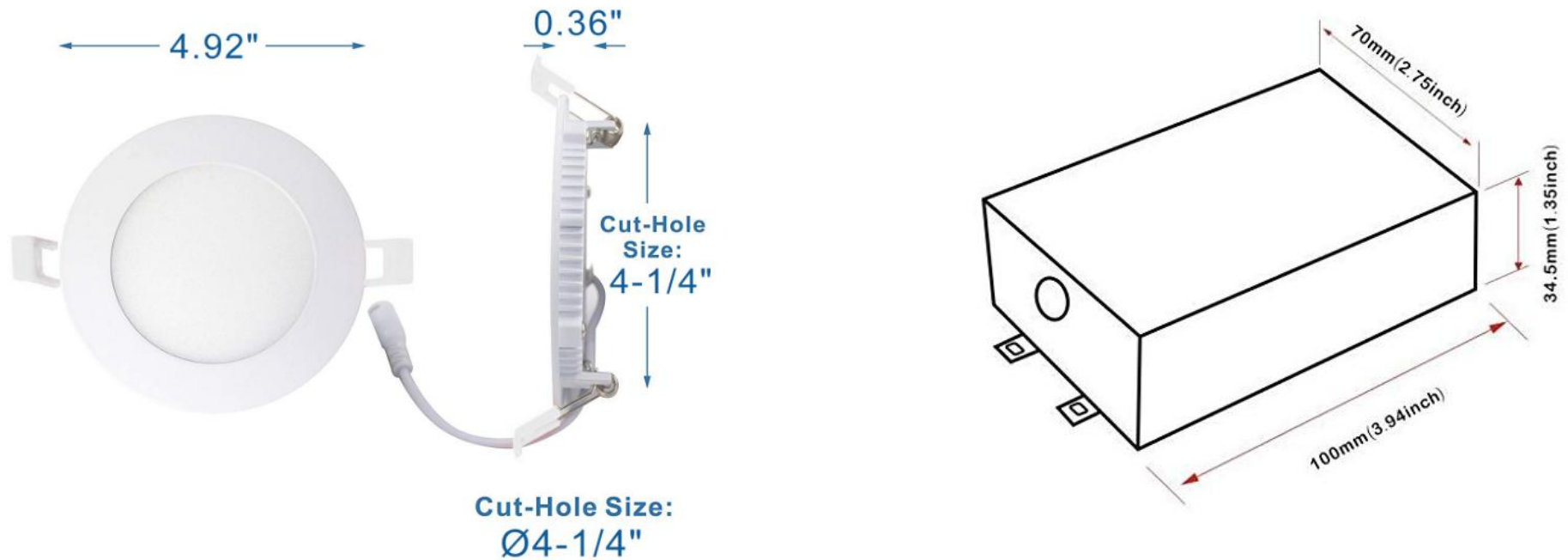
Application



Certificates



Drawing



Type	Value
Outer Diameter	5INCH
Cut Hole	4INCH
Height (Panel)	0.44INCH
Height (Junction Box)	1.35INCH
Length (Junction Box)	3.94INCH
Width (Junction Box)	2.75INCH



SHENZHEN YOUTH GREEN LIGHTING TECHNOLOGY CO.,LTD.

ADD: YOUTHGREEN COMMERCIAL PARK,SHIYAN TOWN BAOAN DISTRICT,SHENZHEN CITY,GUANGDONG PROVINCE,CHINA.

Tel: 86 13631604597; Email: sales05@youthgreenled.com; Web: www.youthgreenled.com

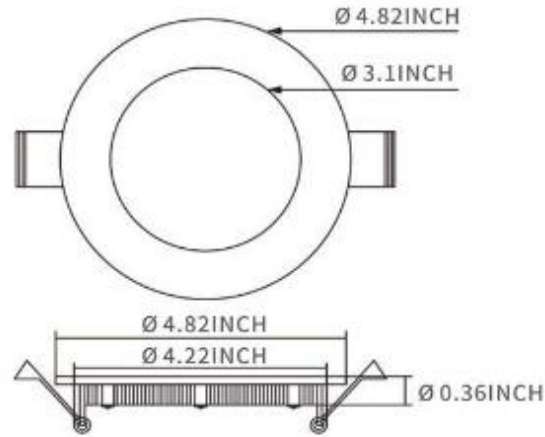
Parameters

Electrical Characteristics	
Input Voltage	110-120V AC 50~60Hz
Rated Power	9W
Replacement	9W=80W Halogen
Installation of LED Driver	External
Type of LED Driver	Constant current output
Power Factor	0.95~0.98
Operating Temperature	-10℃-40℃

Optical Characteristics	
LED Type	SMD2835
Brand of LED Chip	Taiwan Epistar
Lumen	750lm
Life Span Based on 3hrs/day	45years
CRI	>80
Beam Angle	180 degree
CCT	3000K/3500K/4000K/5000K/

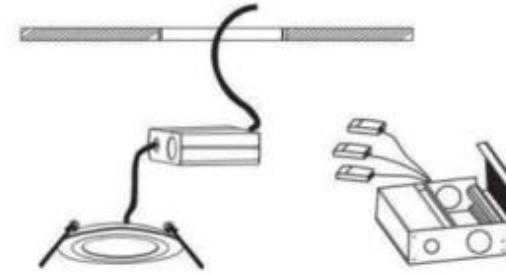
Other	
Energy Level	A
Warranty	5 years
Working Hours	50,000hrs
IP range	IP44
Material	Aluminum housing with PMMA lampshade

Installation

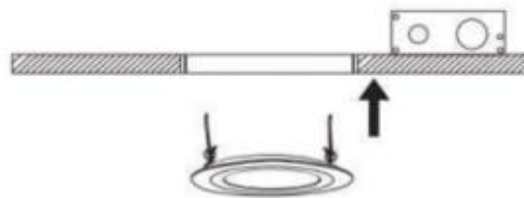


Hole diameter/Diametre de perforation

4"	4-1/4" (107mm)
----	----------------



1. Fix drivers on the ceiling



2. Push lights on the Ceiling



3. Well done!

Testing:

Dimming Testing and 72hours longtime testing before delivery.

