

2" Deep Anti-Glare Downlight Specifications

3CCT Tunable

Description

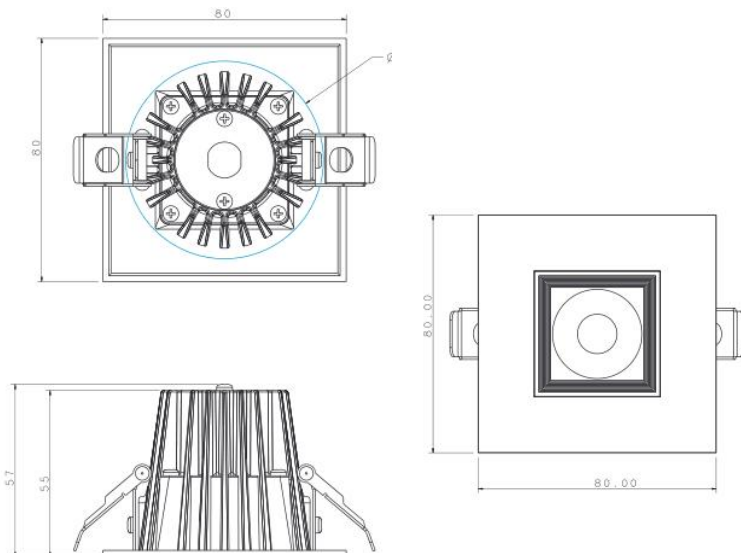
2" LED anti-glare downlight comes complete with an external driver in a junction box. Commercial grade quality with architectural design.

Features and Benefits

- **Air Tight & Type IC Rated:** No housing Required. Deep anti-glare design, no harm to eyes .
- **Fast & Easy Installation:** Save labor cost.
- **Junction Box Included:** No additional hardware required.
- **Reflector** can be smooth or baffle design for choice
Frame and Inner trim color can be white or black
- **Suitable for damp locations.**
- **Voltage:** 100-130V AC perfect Triac dimming
- **3CCT Tunable :** 3000K/4000K/5000K Color option in

one fixture

Dimension Drawing



Unit: mm



Specifications



Input Power	8W
Input Voltage:	100-130V AC, 50/60HZ
Lumen	550-600LM
Halogen Equivalent	60W
Efficiency	82LM/W
CRI	>90Ra
Power Factor	>0.9
LED Chip	COB
Beam Angle	36°
Color Temperature	3000K/4000K/5000K 3CCT Tunable
Dimension	Φ80*80*57mm
Cutout Size	Φ65-70mm
Dimming	Triac dimming 5-100%
Approved Locations	Insulated ceilings
Air Tight	Yes
Lamp Life	70% light output at 50000hrs
Certification	ETL , cETL
Warranty	5 years
Qty/ Ctn	40pcs/ ctn
Ctn Size	58*31.2*34.5CM
Gross Weight	18.75KG

Great Features and Benefits

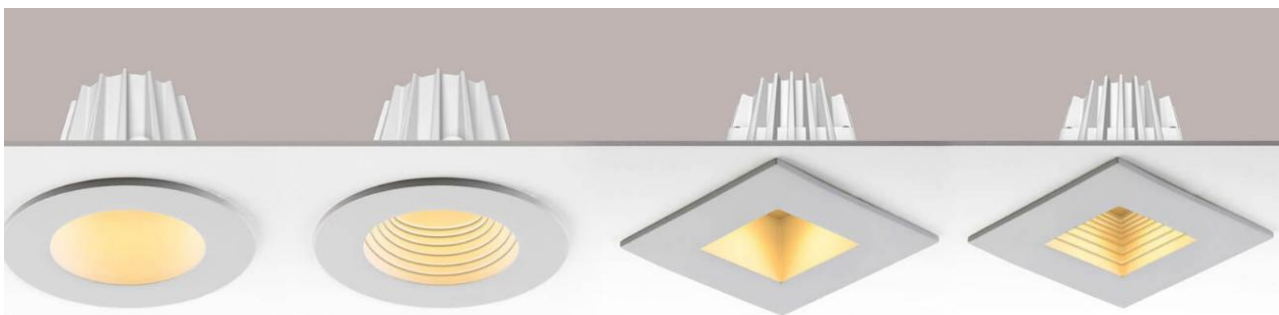
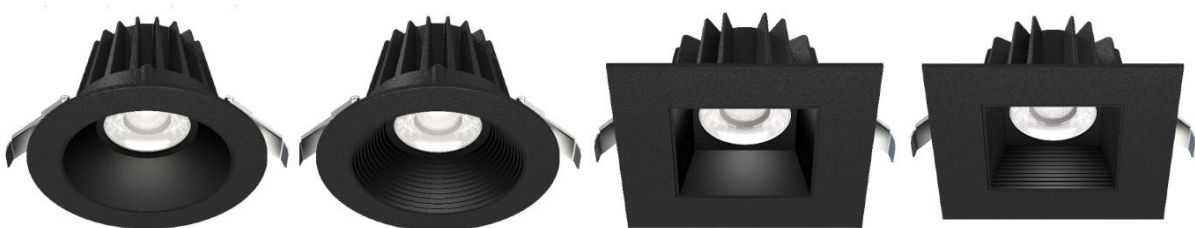
- **Appearance:** Fashion & high quality design, with unique appearance, easier for marketing.
- **Body:** Durable, die cast aluminum alloy for optimal heat dissipation .
- **Paint:** The inner baffle can be White, Chromel and Black for choice--Scratch resistant and smooth finish
- **LEDs:** High brightness COB LED with CRI>90Ra, which guaranteed high lumen and high quality
- **Driver:** Isolated LED driver with 5 years warranty. 100-130V AC perfect Triac Dimming
- **Junction Box:** Included, install directly in Insulated Ceilings (IC) without any thermal housing.

Compatible Dimmers

- **Lutron :** CTCL-153P / DVCL-153P / S-600P / SLV-600P / CN-600P
- **Levetion :** 6674 /6672

Family Products

Have 2" 8W & 4" 12W & 4" 15W Round & Square in both Smooth and Baffle Design for choice
Frame & Inner trim have both White and Black for choice



Deep Anti-glare Downlight

