

3inch 5W Round White Slim Panel Lights

YG Part #: LP3RD5W-WH

2020-10 V-3.0



Advantages:

LED slim panel design advantages:

ANTI-GLARE DESIGN

Anti-Glare Circle For Recessed Panel Light



High Efficiency , 5W=40W
Special Design ,Anti-glare
Harmless to Eyes
Not Feeling Dizzy

Common LED Lighting

Anti-Glare CircleLED Lighting

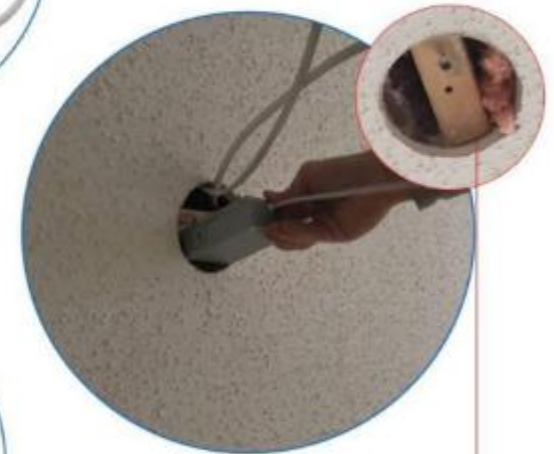


Junction box design advantages:



Small Junction Box with Bigger Inner Size

Three Holes Junction Box for Wire Connections from different directions.



Our Junction Box can be well used to the small space with wooden in the middle,without any damage to the ceiling.



SHENZHEN YOUTH GREEN LIGHTING TECHNOLOGY CO.,LTD.

ADD: YOUTHGREEN COMMERCIAL PARK,SHIYAN TOWN BAOAN DISTRICT,SHENZHEN CITY,GUANGDONG PROVINCE,CHINA.
Tel: 86 755-366-28289; Email: sales01@youthgreenled.com; Web: www.youthgreenled.com

Features:

1. 3inch 5W
2. With Junction box, compatible for North America's installation regulation requirement.
3. ETL Energy Star approved, 5 years warranty.
4. Triac dimmable.

Notice:

1. Cutting off the electricity before installation.
2. Installation can only be done by qualified electrician.
3. Input voltage is AC120V 50/60Hz. Please kindly confirm the voltage before installation.
4. If the down lights can't work normally, please contact our customer service.
5. It will be out of warranty if damage is caused by personal mistake.

Specification for Order Form

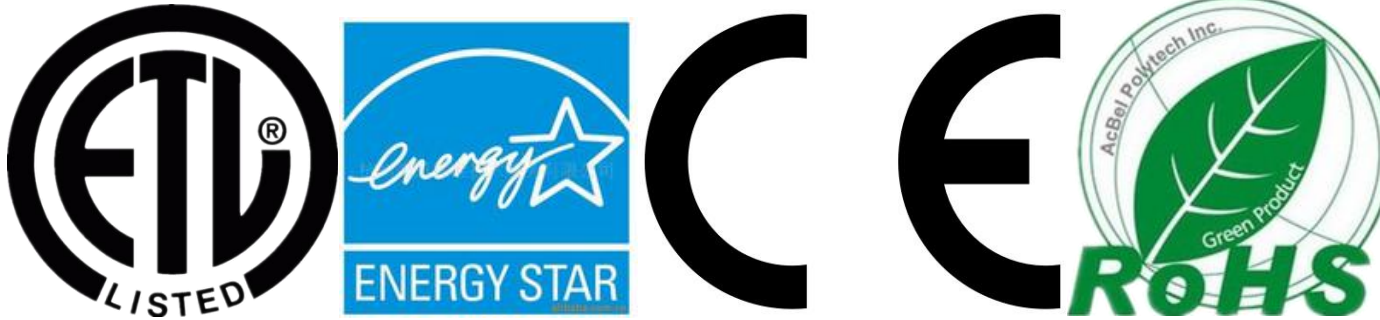
Item No.	Voltage	Watt	CCT	Dimmable	Certificates	Package
LP3RD5W3K-WH	AC120V	5W	3000K	YES	ETL /Energy Star	40pcs/ctn 11.86kgs 42*28*42cm
LP3RD5W4K-WH	AC120V	5W	4000K	YES	ETL/ Energy Star	
LP3RD5W5K-WH	AC120V	5W	5000K	YES	ETL/ Energy Star	
LP3RD5W6K-WH	AC120V	5W	6000K	YES	ETL	

Application:

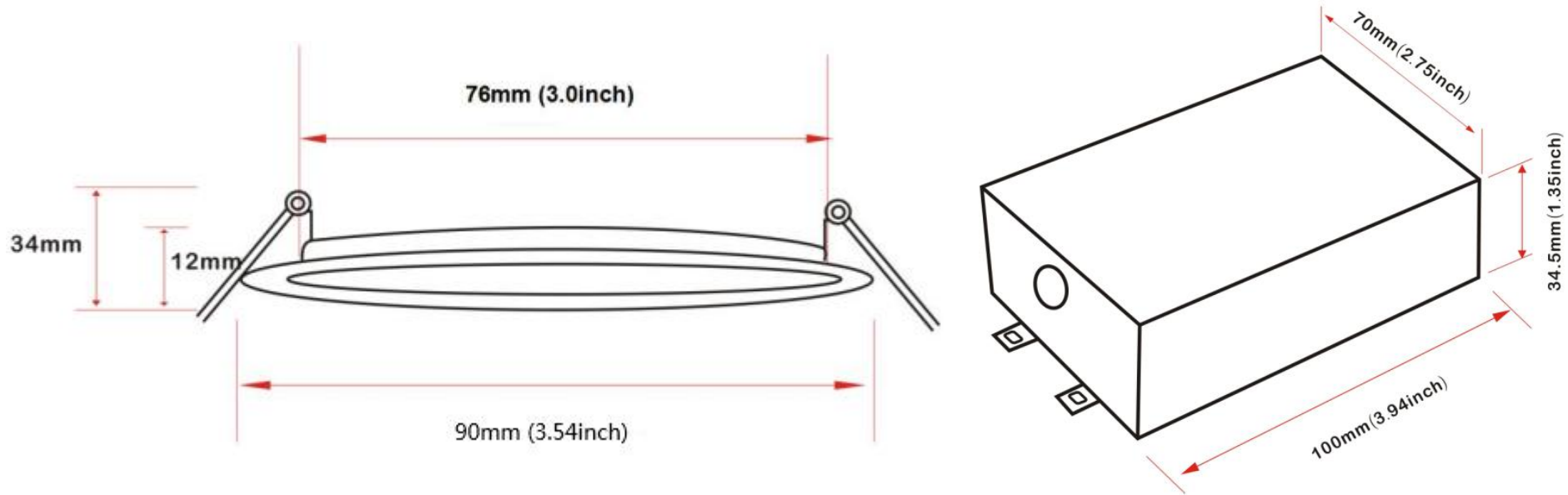
- 1- office, factory, warehouse, parking lot;
- 2- market, school, library, hospital, museum;
- 3- home lighting;



Certificates:



Drawing:



Type	Value
Outer Diameter	3.54INCH
Cut Hole	3.00INCH
Height (Panel)	0.47INCH
Height (Junction Box)	1.35INCH
Length (Junction Box)	3.94INCH
Width (Junction Box)	2.75INCH



SHENZHEN YOUTH GREEN LIGHTING TECHNOLOGY CO.,LTD.

ADD: YOUTHGREEN COMMERCIAL PARK,SHIYAN TOWN BAOAN DISTRICT,SHENZHEN CITY,GUANGDONG PROVINCE,CHINA.

Tel: 86 755-366-28289; Email: sales01@youthgreenled.com; Web: www.youthgreenled.com

Parameters:

Electrical Characteristics	
Input Voltage	120V AC 50~60Hz
Rated Power	5W
Replacement	5W=40W Halogen
Installation of LED Driver	External
Type of LED Driver	Constant current output
Power Factor	0.95~0.98
Operating Temperature	-10℃-40℃

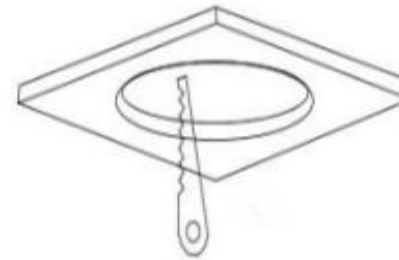
Optical Characteristics	
LED Type	SMD2835
Brand of LED Chip	20pcs Taiwan Epistar SMD2835
Lumen	345lm
Life Span Based on 3hrs/day	45years
CRI	>80
Beam Angle	180 degree
CCT	3000k/4000k/5000k/6000k

Other	
Energy Level	A
Warranty	5 years
Working Hours	50,000hrs
IP range	IP44
Material	Aluminum housing with PMMA lampshade

Installation:



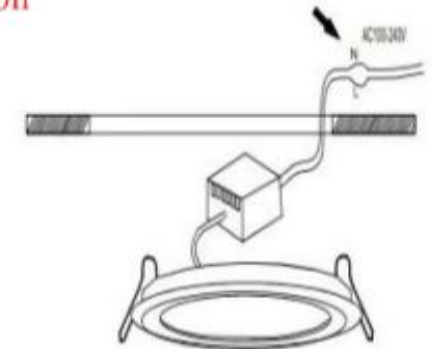
Turn off the switch before application



1- drill on the ceiling;



3- straight the spring, then put into the hole;



2- connect with the driver, make the insulation measure;



4- finished.

Testing:

Dimming Testing and 72hours longtime testing before delivery.





SHENZHEN YOUTH GREEN LIGHTING TECHNOLOGY CO.,LTD.

ADD: YOUTHGREEN COMMERCIAL PARK,SHIYAN TOWN BAOAN DISTRICT,SHENZHEN CITY,GUANGDONG PROVINCE,CHINA.

Tel: 86 755-366-28289; Email: sales01@youthgreenled.com; Web: www.youthgreenled.com

Packaging:

Model No.	QTY/CTN	G.W	CBM	Note
LP3RD5W-WH	40PCS	11.86kgs	0.049	Customized Color package can be offered